

FOCIS™ Blade Tip Timing Probe

Lensed Optical Time of Arrival Sensor



FOCIS™ lensed BTT probes provide high resolution rotor blade tip timing measurements for non-intrusive stress measurement (NSMS) and other rotor blade time of arrival applications. Probes are available in cooled and uncooled configurations and are customizable, allowing the user to specify cable lengths, connector types and mounting flanges.

Environmental

- Maximum uncooled continuous operational temperature
 - Sustained rated temperature: 1100 °F (590 °C)
 - Short term: up to 1800°F (980 °C)
- 500 °F (260 °C) maximum cable temperature
- 300 °F (150 °C) maximum connector temperature

Working Range

- 0.008" - 0.236" (0.2 - 6.0 mm)
- Other working ranges available upon request

Probe Dimensions

- Standard Diameter: 0.25" (6.35 mm)
- Standard Length: 1.5" (38.1 mm)

Fiber Size

- Transmit - 50/125 0.22 NA
- Receive - 200/220 0.22 NA



Connector Options

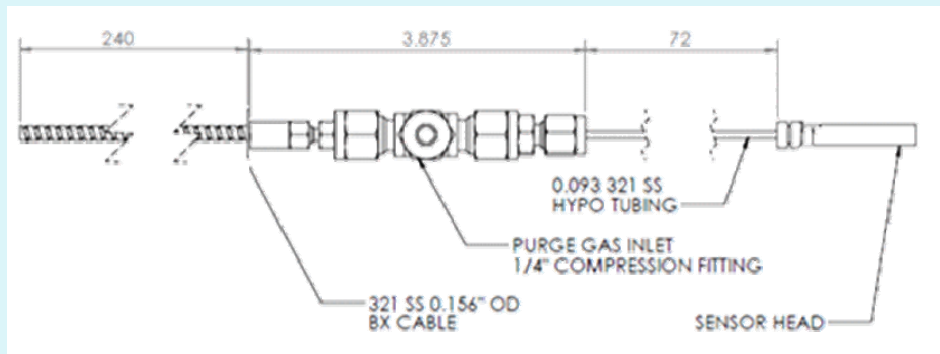
- FC, ST, MT, SMA

Cable Options

- Rigid capillary tube of a custom length exiting probe head
- Flexible strip wound cable of a custom length leaving cable head
- Custom fiber lengths exiting cable breakout

Other Options

- Probe tip cooling/cleaning provisions
- Custom mounting flanges



CUSTOM DESIGN REQUESTS WELCOME

CONTACT: PRIME PHOTONICS
1116 SOUTH MAIN ST
BLACKSBURG, VA 24060
+1 (540) 961.2200

WWW.PRIMEPHOTONICS.COM
INFO@PRIMEPHOTONICS.COM