

FOCIS™ Blade Tip Timing and Clearance Probe

Optical Time of Arrival and Clearance Measurement Sensor



FOCIS™ BTT/BTC probes provide both rotor blade tip timing (time of arrival) and blade tip clearance measurements from a single optical sensor. Probes are available in cooled and uncooled configurations and are customizable, allowing the user to specify cable lengths, connector types and mounting flanges.

Environmental

- Maximum uncooled continuous operational temperature
 - Sustained rated temperature: 1100 °F (590 °C)
 - Short term: up to 1800°F (980 °C)
- 500 °F (260 °C) maximum cable temperature
- 300 °F (150 °C) maximum connector temperature

Working Range

- 0.008" - 0.236" (0.2 - 6.0 mm)
- Other working ranges available upon request

Probe Dimensions

- Standard Diameter: 0.25" (6.35 mm)
- Standard Length: 1.5" (38.1 mm)



Fiber Size

- Transmit - 50/125 0.22 NA
- Receive - 200/220 0.22 NA (two receive channels for BTC measurements)

Connector Options

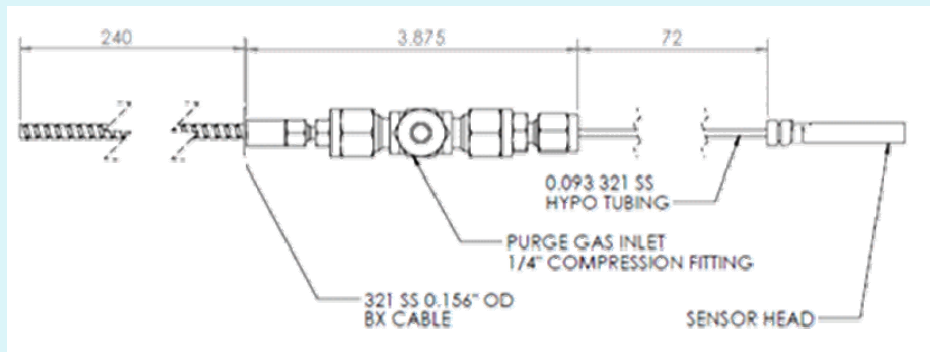
- FC, ST, MT, SMA

Cable Options

- Rigid capillary tube of a custom length exiting probe head
- Flexible strip wound cable of a custom length leaving cable head
- Custom fiber lengths exiting cable breakout

Other Options

- Probe tip cooling/cleaning provisions
- Custom mounting flanges



CUSTOM DESIGN REQUESTS WELCOME

CONTACT: PRIME PHOTONICS
1116 SOUTH MAIN ST
BLACKSBURG, VA 24060
+1 (540) 961.2200

WWW.PRIMEPHOTONICS.COM
INFO@PRIMEPHOTONICS.COM